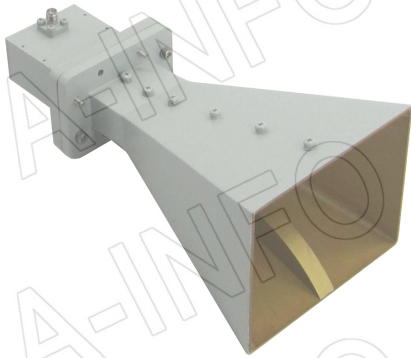


For reference only. See data sheet for the detailed specifications.

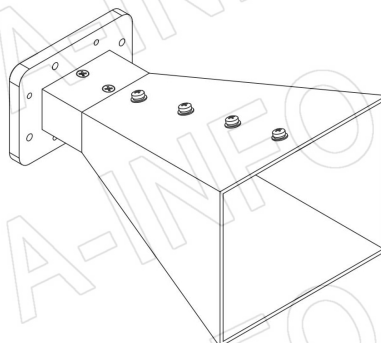
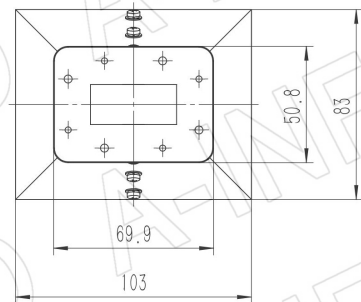
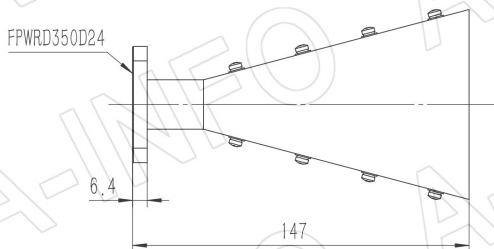
## Technical Specification



Frequency Range(GHz)	3.5 – 8.2
Gain(dB)	10 Typ.
Polarization	Linear
3dB Beamwidth(deg)	E Plane: 54 - 26
	H Plane: 54 - 25
Cross Pol. Isolation(dB)	25 Typ.
VSWR	1.50:1 Typ.
Output	A Type: FPWRD350D24
	C Type: SMA-Female N-Female
Power Handling(W CW)	SMA-Female: 50 Max.
	N-Female: 150 Max.
Material	Al
Finish	Chemical Conversion Coating, Gary Paint
Size(mm)	A Type: 103 x 83 x 147
	C Type: 103 x 83 x 204.7
Net Weight(Kg)	A Type: 0.3 Around
	C Type: 0.5 Around

## Outline Drawing (Size: mm)

FPWRD350D24 Output (P/N: LB-3582-10-A)



**AINFO Inc.**

China(Beijing): Tel: (+86) 10-6266-7326,  
China(Chengdu): Tel: (+86) 28-8519-2786,  
USA: Tel: (+1) 949-639-9688,

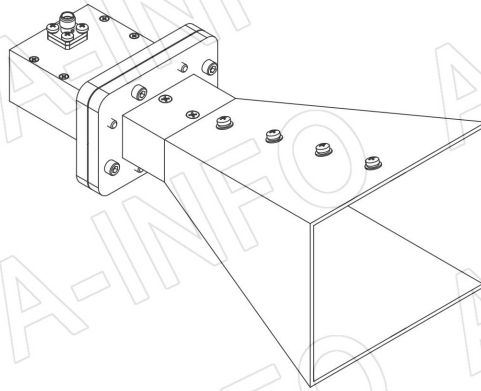
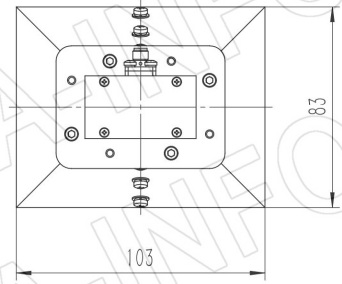
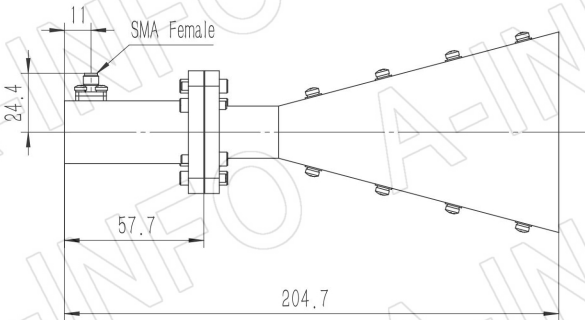
Page 1 of 7

(+86) 10-6266-7327 Fax: (+86) 10-6266-7379  
(+86) 28-8519-3044 Fax: (+86) 28-8519-3068  
(+1) 949-639-9608 Fax: (+1) 949-639-9670

Website: [www.ainfoinc.com](http://www.ainfoinc.com)  
Email: [sales@ainfoinc.com](mailto:sales@ainfoinc.com)

## SMA-Female Output (P/N: LB-3582-10-C-SF)

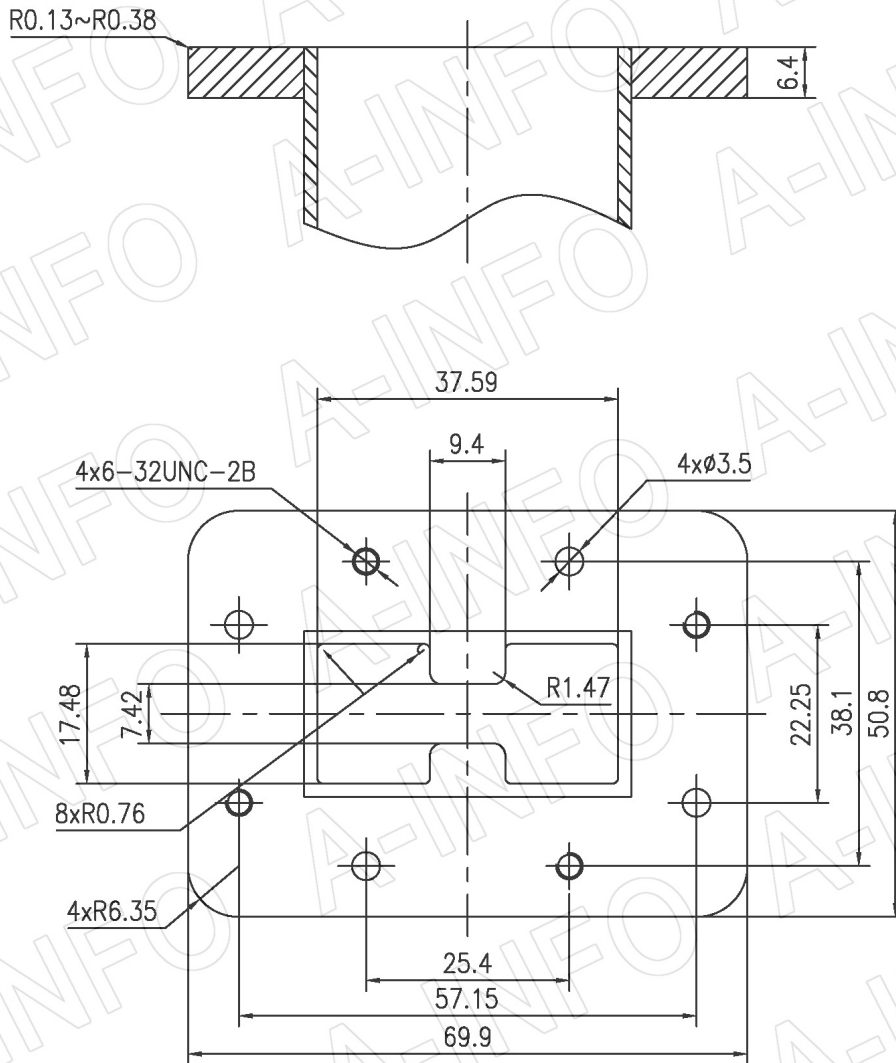
For N-Female output outline drawing, please contact A-INFO.



## Flange Drawing (Size: mm)

# FPWRD350D24

(With four through mounting holes  
and four screws holes)



### AINFO Inc.

China(Beijing): Tel: (+86) 10-6266-7326,  
China(Chengdu): Tel: (+86) 28-8519-2786,  
USA: Tel: (+1) 949-639-9688,

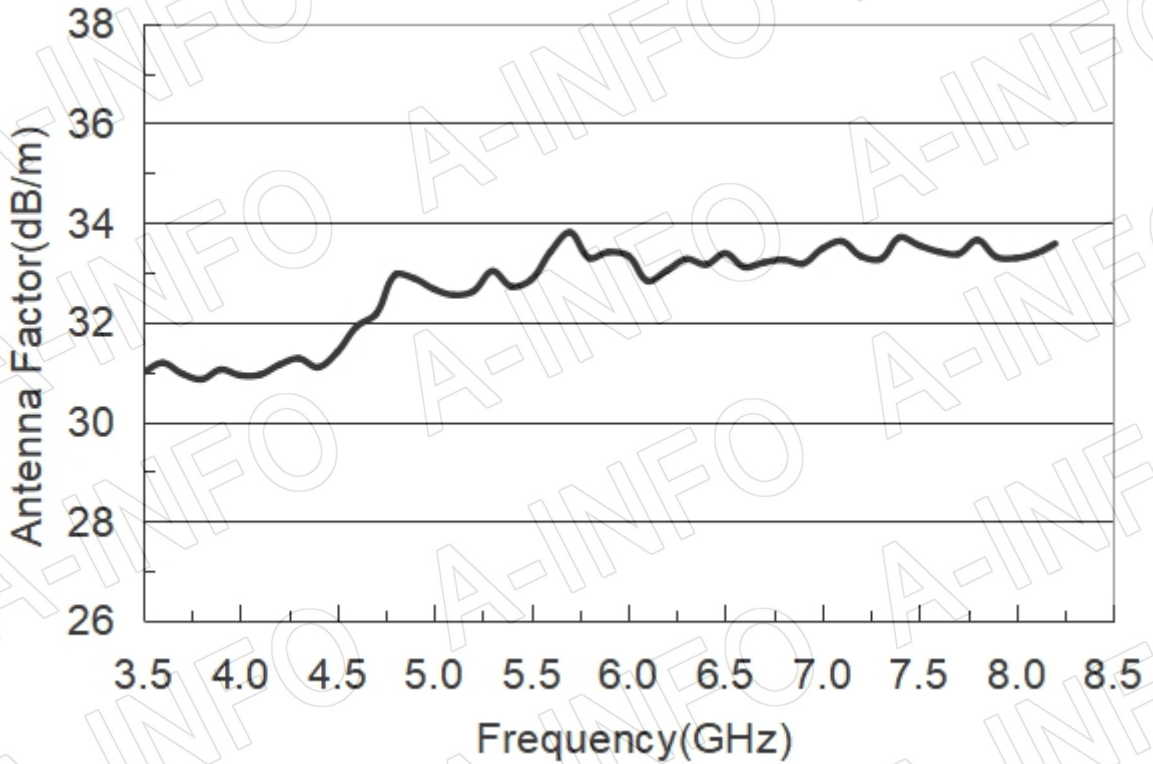
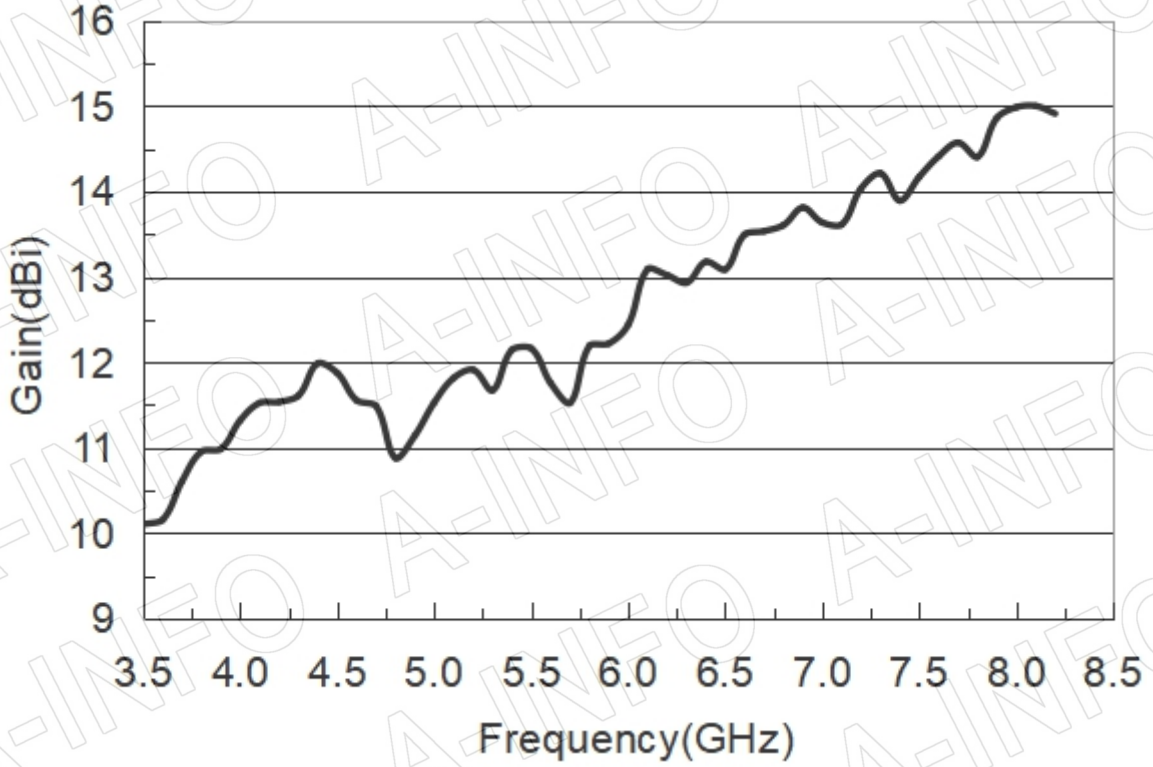
Page 3 of 7

(+86) 10-6266-7327 Fax: (+86) 10-6266-7379  
(+86) 28-8519-3044 Fax: (+86) 28-8519-3068  
(+1) 949-639-9608 Fax: (+1) 949-639-9670

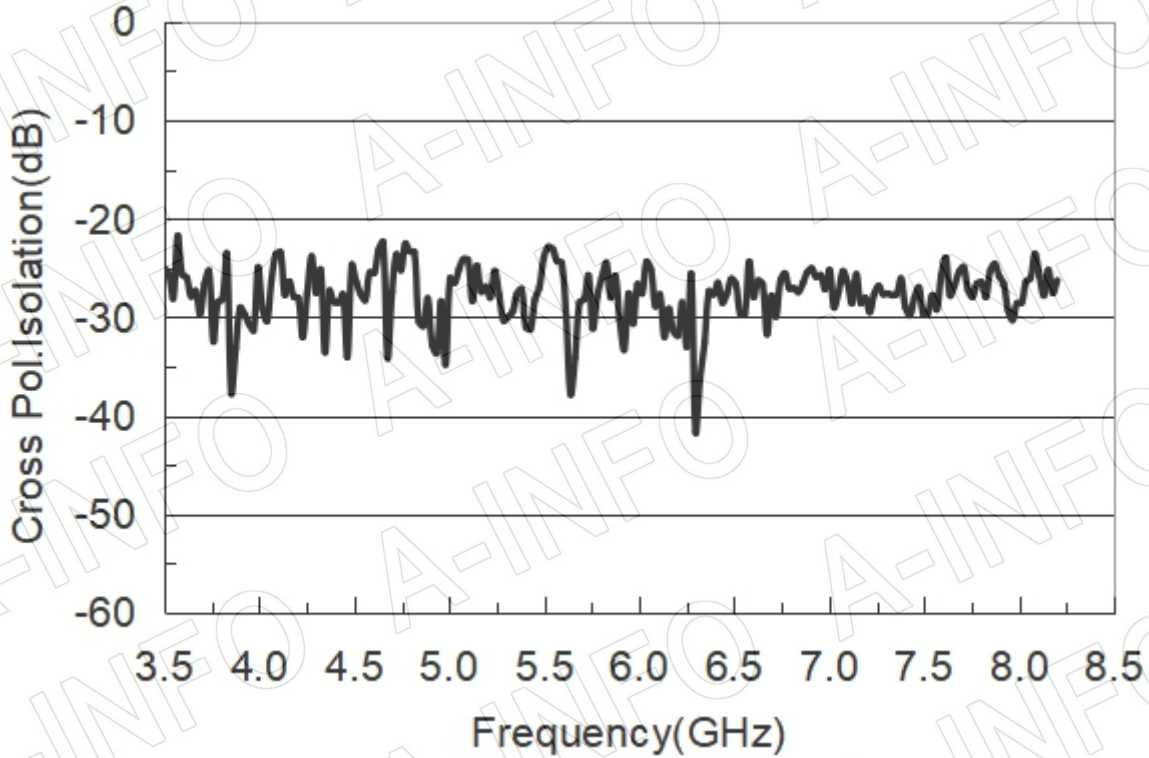
Website: [www.ainfoinc.com](http://www.ainfoinc.com)  
Email: [sales@ainfoinc.com](mailto:sales@ainfoinc.com)

## Test Results

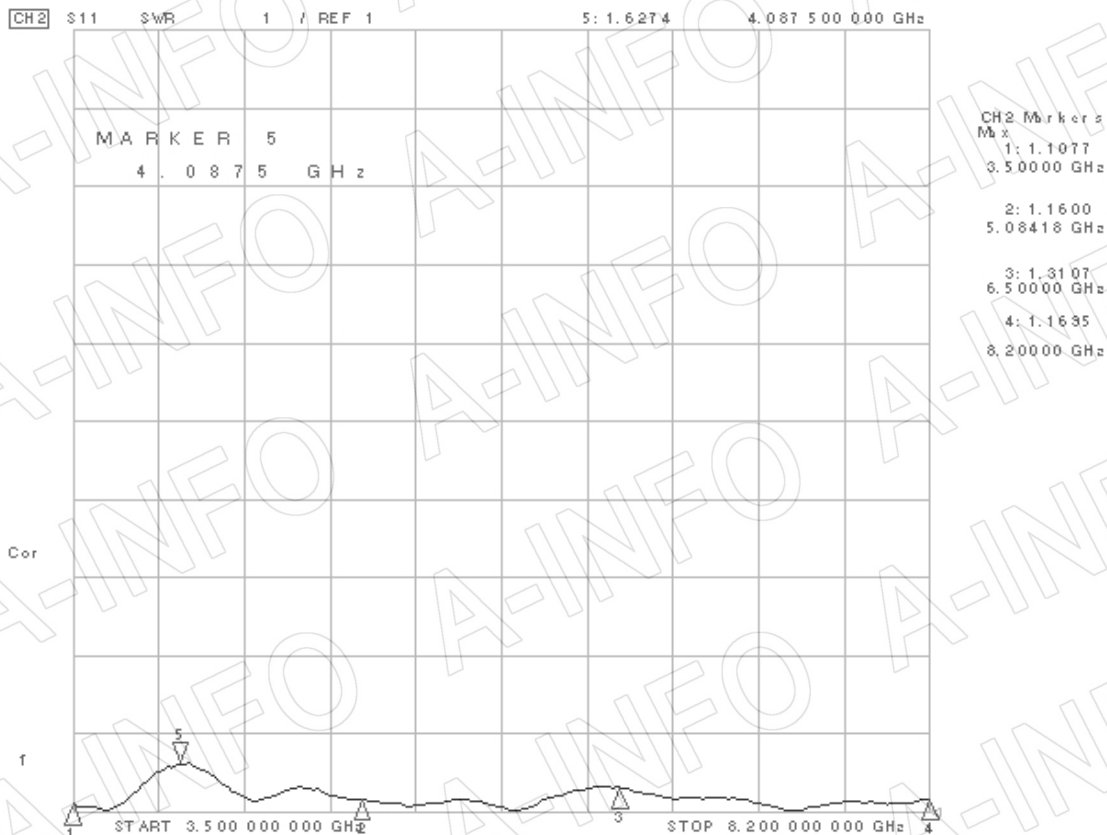
### 1. Gain & Antenna Factor



## 2. Cross Polarization Isolation



## 3. VSWR



## 4. Pattern

